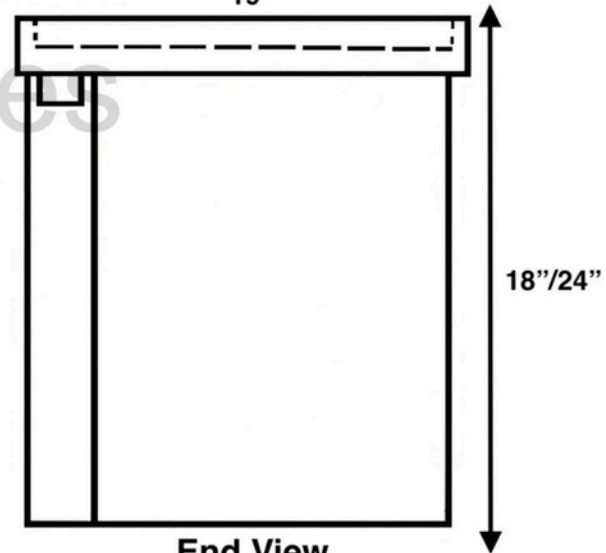
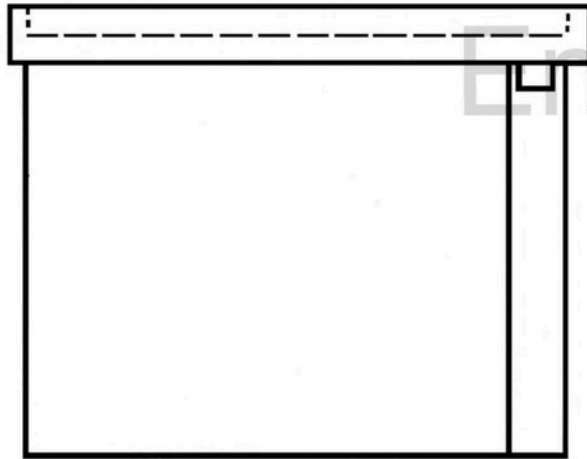
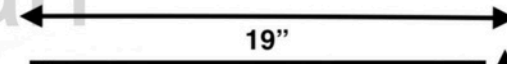
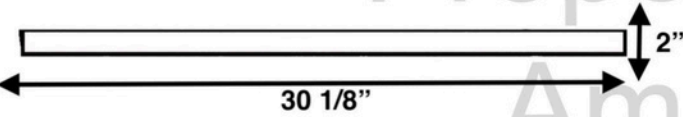
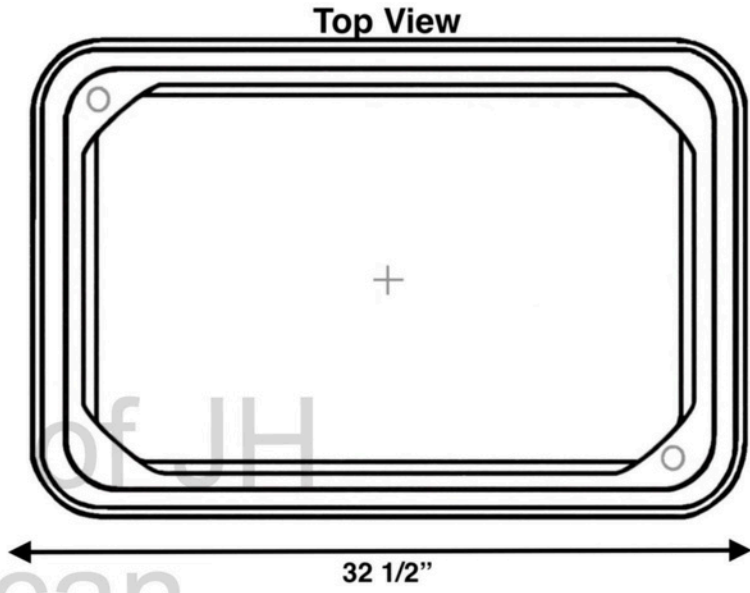
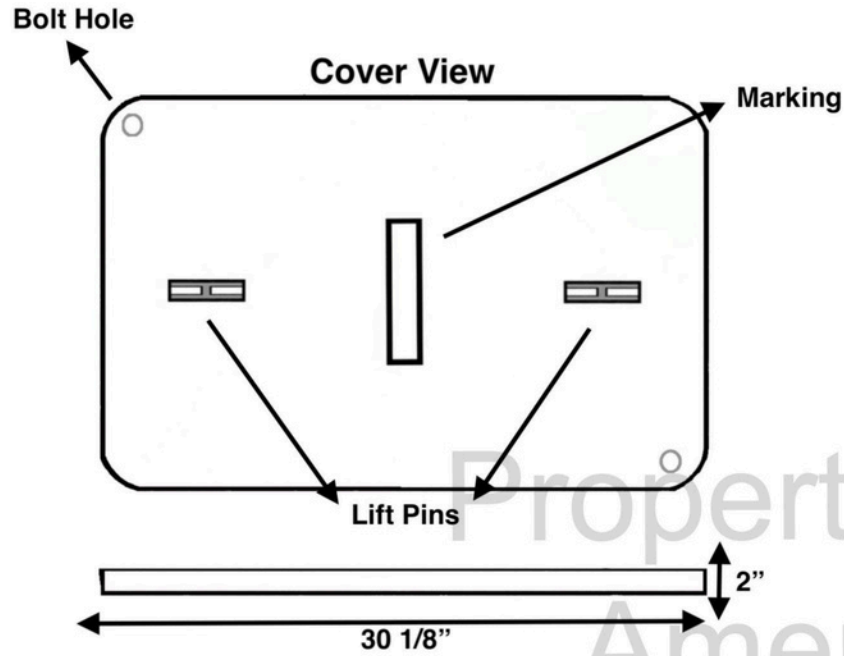


# APC 173024 Polymer Concrete Box & Cover



**JH American Enclosures**  
 Made from over 30 years of experience

Loading Requirements  
 Vertical  
 Design Load: 22,500 lbs  
 Test Load: 33,750 lbs

Lateral  
 Design Load: 800 lbs/sq. ft.  
 Test Load: 1,200 lbs/sq. ft.

<b>Part No. APC173024</b>
<b>Body: Polymer Concrete</b>
<b>Cover: Polymer Concrete</b>
<b>Weight: 180lbs Tolerance: +/- 1/8"</b>
<b>Tier 22</b>